

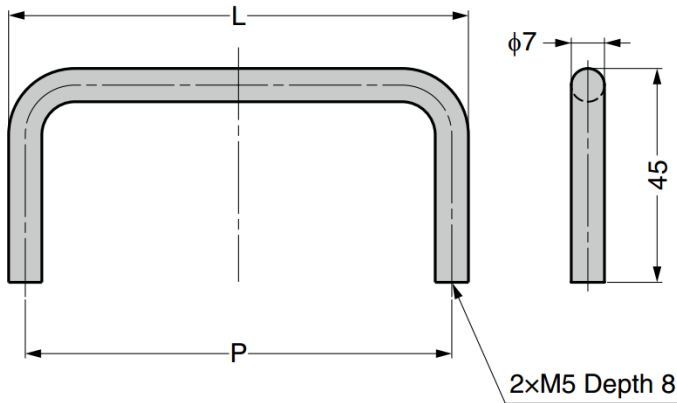
GMG Stainless Steel Handle

Features

- Higher profile allows for easy gripping with glove on
- **GMG-68** is compliant with SEMI standard (SEMI S8-0307)

Material

- Stainless steel 304, polished

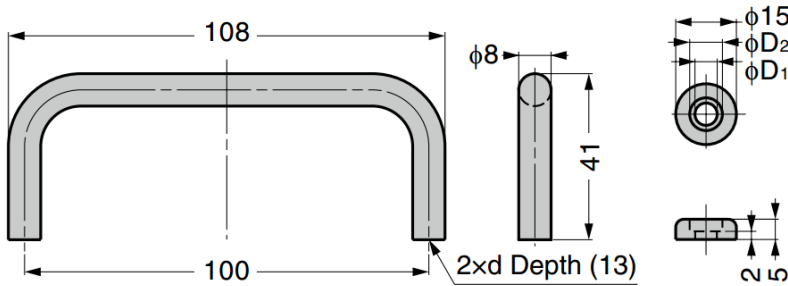


Part No.	L	P
GMG-68	75	68
GMG-90	97	90

GT-100-8 Stainless Steel Handle

Features

- Higher profile allows for easy gripping with glove on



Part No.	Material	Finish	d	D ₁	D ₂
GT-100-8S	Stainless Steel 304	Polished	M5	5.5	8.2
GT-100-8CR	Brass	Chrome	M4	4.5	8